

SEBRIGHT MODEL 4236-1-4

STATIONARY COMPACTOR

Designed with 36" wide ram for flexibility in packing 4, 6, or 8 yard front or rear load containers



Shown with right hand security chute, 8 yard compaction container, and container guides

Model 4236 reduces material to a fraction of the original volume due to its high ram face PSI rating! This unit also features the following standard Sebright Extended Life Expectancy Package:

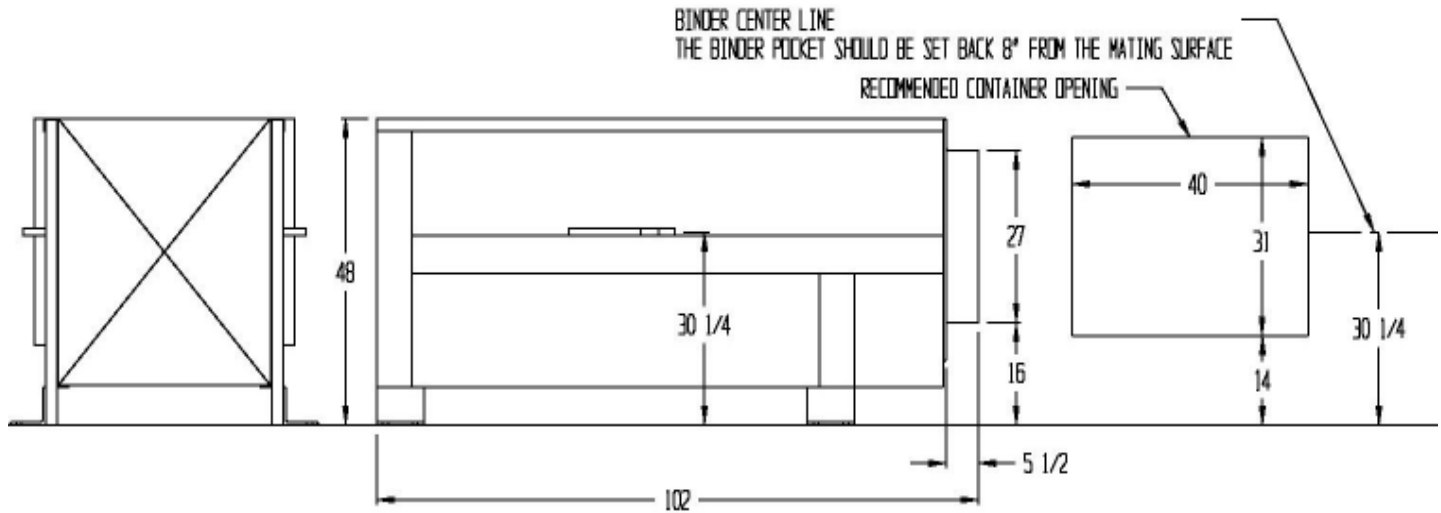
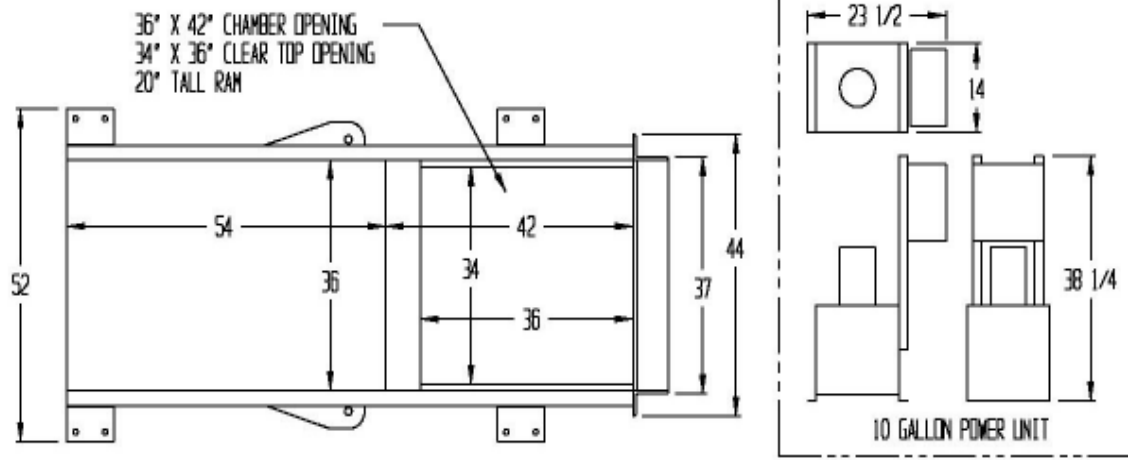
- ◀ Abrasive resistant floor (AR 235)
- ◀ Nylatron guide system
- ◀ Close Tolerances between ram and floor
- ◀ Totally enclosed fan cooled motor (T.E.F.C.)

Call Toll Free
1-800-253-0532

Sebright Products, Inc.
127 N. Water St.
Hopkins, MI 49328
www.sebrightproducts.com

THE DENSIFICATION SPECIALISTS





| Model Number | Cu. Yd. | Motor H.P. | Pump GPM | Cyl. Bore | Cyl. Stroke | Max PSI | Ram Penetration | Ram Face PSI | Cyl. Force | Cycle Time | Base Unit Weight (lbs) |
|--------------|---------|------------|----------|-----------|-------------|---------|-----------------|--------------|------------|------------|------------------------|
| 4236-1-4 | .75 | 3 | 5.5 | 4 | 48 | 2,000 | 11.5 | 35 | 25,140 | 45 | 2,665 |
| 4236HV-1-4 | .75 | 5 | 7.5 | 4 | 48 | 2,000 | 11.5 | 35 | 25,140 | 30 | 2,790 |



Sebright Products, Inc.
127 N. Water St., Hopkins MI 49328
Phone: 269-793-7183 Fax: 269-793-4022
Toll Free 800-253-0532
www.sebrightproducts.com

Due to product improvements, the manufacturer reserves the right to alter, or amend, without notice, any of these specifications and/or dimensions.

All machines and accessories are primer coated and finish painted. Standard color chart available upon request.

Complete line of Solid and Wet Waste Handling Equipment includes:

*Stationary Compactors * Self Contained Compactors * Precrushers * Hydraulic Dumpers* Densifiers * Construction Compactors
High Density Extruders * Belt Filter Presses*