

SEBRIGHT MODEL 4060 STATIONARY COMPACTOR

This machine will fit those special space requirements without compromising force.



Shown with:
Through-the-Wall Chute and
Compaction Compactor

CALL TOLL FREE
800-253-0532

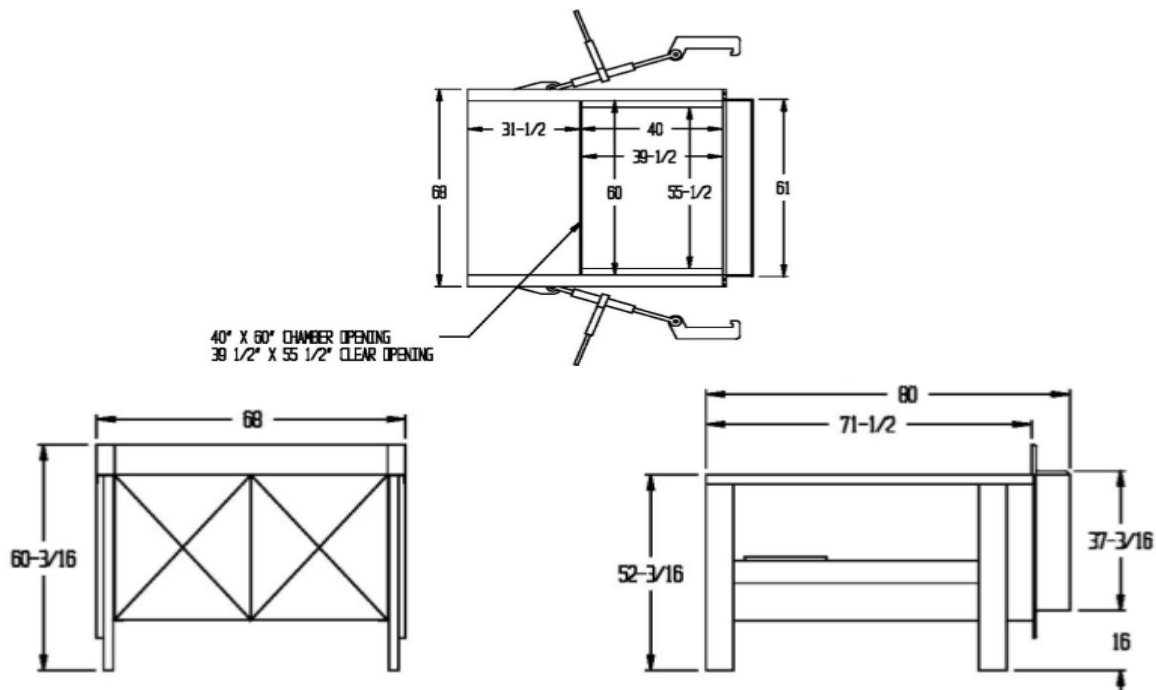
Dependability means...

- ◀ Lower Maintenance
- ◀ Less Down Time
- ◀ Lower Operating Costs

Sebright Products, Inc.
127 N. Water St.
Hopkins, MI 49328
www.sebrightproducts.com



THE DENSIFICATION SPECIALISTS



Model	4060
Factory Rating	2.0 cu. yd.
N.S.W.M.A. Rating	1.5 cu. yd.
Motor HP @ 1725 RPM	10 HP
Pump GPM @ 1725 RPM	12 GPM
Reservoir Capacity	36 U.S. Gallons
Number of Hydraulic Cylinders	2
Hydraulic Cylinder Stroke	32 inches
Hydraulic Cylinder Bore Diameter	4.5 inches
Hydraulic Cylinder Rod Diameter	3 inches
Normal PSI	1,700 PSI
Maximum PSI	2,000 PSI
Normal Ram Force	43,800 lbs.
Maximum Ram Force	51,529 lbs.
Ram Face Dimensions	27 in. H x 60 in. W
Ram Face Area	1,620 square inches

Normal Ram Face PSI	25.5 PSI
Maximum Ram Face PSI	30 PSI
Normal Cycle Time	34 seconds
Cubic Yards/hr. (Ind. Criteria)	159 cu. yds/hr
Header Bar above Ram	8 inches
Discharge Opening	37 in. H x 60 in. W
Ram Penetration	7.5 inches
Clear Top Opening	58 in. W x 39.5 in. L
Top Opening	60 in. W x 41.5 in. L
Overall Dimensions	82.5 in. W x 60 in. H x 80 in. L
Recommended Container Opening	15" ground line to bottom of opening, 40 in. - 45 in. max H x 63 in. min - 68 in. max. W.
Loading Height	52 inches



Sebright Products, Inc.
127 N. Water St., Hopkins, MI 49328
 Phone: 269/793-7183 - Fax: 269/793-4022
Toll Free 800-253-0532
www.sebrightproducts.com

Due to product improvement, the manufacturer reserves the right to alter or amend, without notice, any of these specifications and/or dimensions.

All machines and accessories are primer coated and finished painted. Standard color chart is available upon request.

Complete line of Dry & Wet Waste Equipment Including:
*Stationary Compactors * Self-Contained Compactors * Precrushers * Hydraulic Dumpers * Densifiers * Construction Compactors*
*High Density Extruders * Belt Filter Presses*