

SEBRIGHT MODEL 4060 STATIONARY COMPACTOR

This machine will fit those special space requirements without compromising force.



Shown with:
Through-the-wall chute and compaction
compactor

Dependability means...

- Lower maintenance
- Less down time
- Lower operating costs

CALL TOLL FREE

800-253-0532

269-793-7183

Sebright Products, Inc.

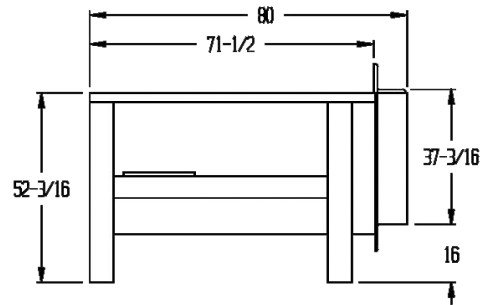
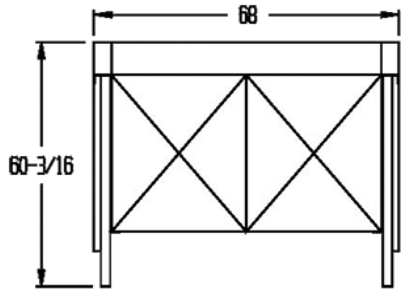
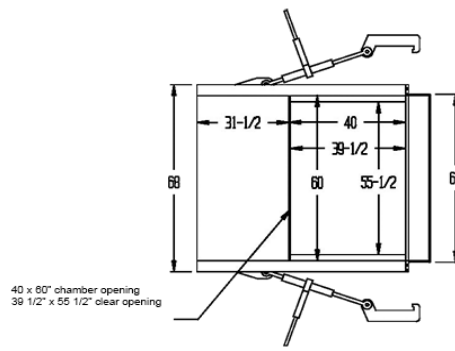
127 N. Water St.

Hopkins, MI 49328

www.sebrightproducts.com

THE DENSIFICATION SPECIALISTS





MODEL	4060	Ram Face Dimensions	27 in H x 60 in W
Factory Rating	2.0 cu. yd.	Normal Ram Face PSI	25.5 PSI
N.S.W.M.A. Rating	1.5 cu. yd.	Maximum Ram Face PSI	30 PSI
Motor HP @ 1,725 gpm	10 HP	Normal Cycle Time	34 seconds
Pump GPM @ 1,725 gpm	12 gpm	Cubic Yards/Hr (Ind. Criteria)	159 cu yds/hr
Reservoir Capacity	36 U.S. Gallons	Header Bar above Ram	8 inches
Number of Hydraulic Cylinders	2	Discharge Opening	37 in H x 60 in W
Hydraulic Stroke Cylinder	32 inches	Ram Penetration	7.5 inches
Hydraulic Cylinder Bore Diameter	4.5 inches	Clear Top Opening	58 in W x 39.5 in L
Hydraulic Cylinder Rod Diameter	3 inches	Top Opening	60 in W x 41.5 in L
Normal PSI	1,700 PSI	Overall Dimensions	82.5 in W x 60 in H x 80 in L
Maximum PSI	2,000 PSI	Recommended Container Opening	15" ground line to bottom of opening, 40 in - 45 in. max H x 63 in min - 68 in. max W
Normal Race Force	43,800 lbs	Loading Height	52 inches
Maximum Ram Force	52,529 lbs		
Ram Face Area	1,620 square inches		



Sebright Products, Inc
 Phone: 269-793-7183 ** Fax: 269-793-4022
 Toll Free: 800-253-0532
www.sebrightproducts.com



Due to product improvement, the manufacture, reserves the right to alter or amend, without notice, any of these specifications and/or dimensions.

Copyright 2018

**Stationary Compactors * Self Contained Compactors * Precrushers * Hydraulic Dumpers* Densifiers * Construction Compactors
 High Density Extruders * Belt Filter Presses * Xtractors * X3Cyclers * Oil Filter Recycler * Conveyors**