

EPS Foam Densification System

Loose EPS Foam
truckload weights of
2,000 lbs.*



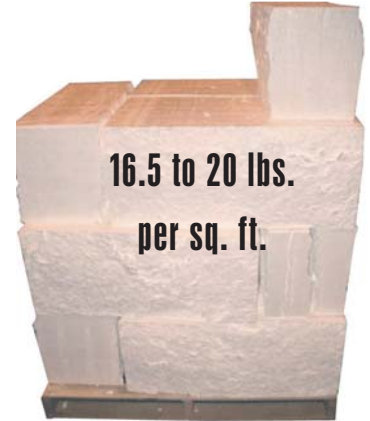
Baled EPS Foam
truckload weights of
6,000 lbs.*



* Truckload weights listed are approximate

Densified EPS Foam truckload weights of 40,000 lbs.*

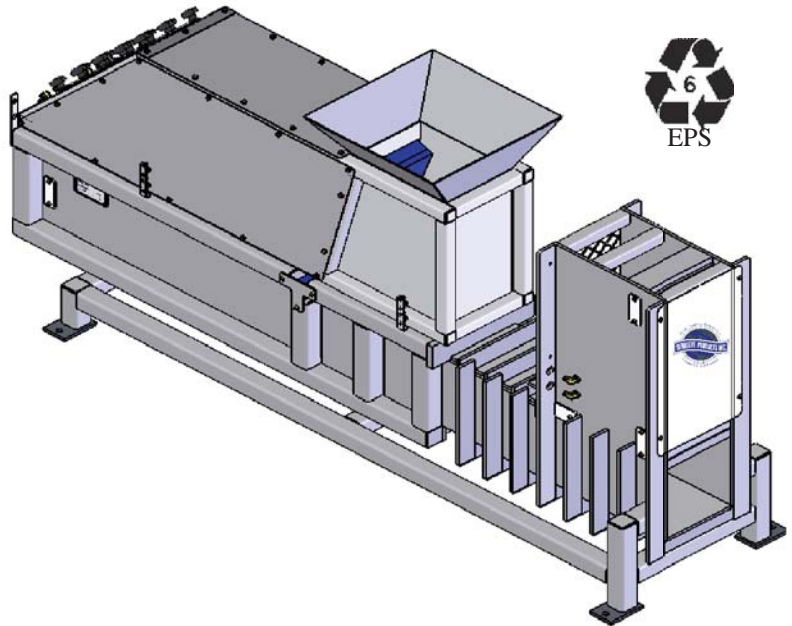
Eliminates pentane gas dangers
Reduced storage requirements
100 - 300 lbs. per hour
Reduced hauling/handling costs
Superior performance
Sophisticated controls
Minimal maintenance



Product Testing Available Call Today

1-800-253-0532 Toll Free US
1-269-793-7183 Phone

Ask for the Sebright Dealer nearest you.



Sebright Products, Inc.
Bright Technologies,
a division of Sebright Products, Inc.
127 N Water St.
Hopkins, Michigan 49328
800-253-0532 Toll Free US
269-793-7183 Phone
269-793-4022 Fax

For more information, please visit our websites at
www.sebrightproducts.com and
www.brightbeltpress.com

Working together to provide
complete
waste processing solutions

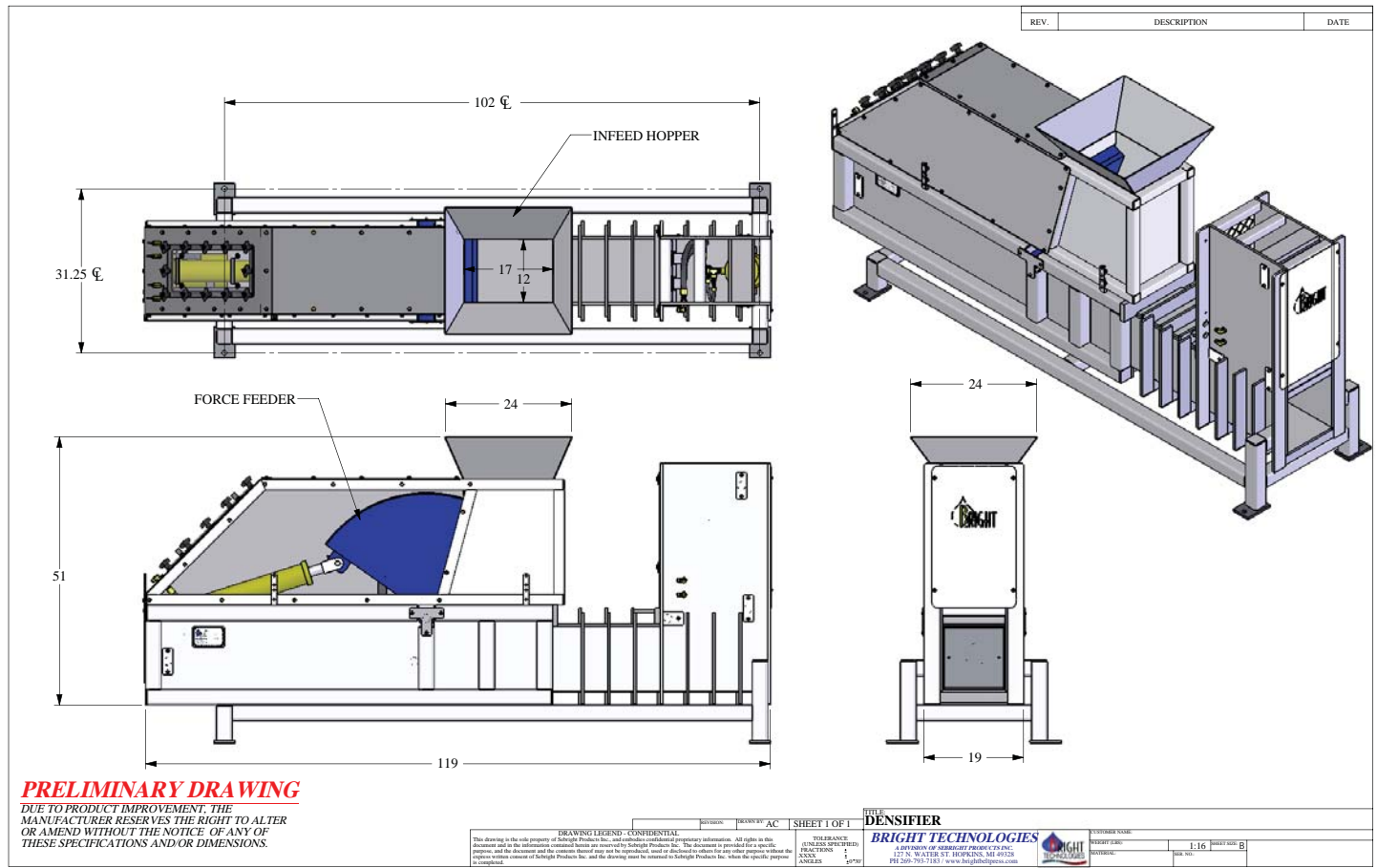
BRIGHT
TECHNOLOGIES

A Division of Sebright Products, Inc.



The Densification Specialists

Sebright
Stationary Compactors
Self-contained Compactors
Precrushers
Hydraulic Cart Dumpers, Custom Carts and Containers
EPS Foam Densifiers
Bright
Belt Filter Presses
High Density Extruders
Xtractors



Chamber Volume	Motor	Cylinder	Ram Force	Total Force
.17 cu yards	20 HP	(1) 7" Diameter	490 PSI	96,200 lbs.
Feed Capacity	Compaction Ratio	Output Density	Machine Weight	Power Unit Weight
100 -300 lbs. per hour	Up to 50:1	15-20 lbs./ft ³	7,500 lbs.	1,790 lbs.

Available options include:

- elevation stands
- blower systems
- automated block shears
- discharge snout extensions
- customized EPS Foam pre-breakers
- bag house assemblies

As seen in
 MSW Magazine and
 Resource Recycling

Due to product improvements, the manufacturer reserves the right to alter or amend, without notice, any of these specifications and/or dimensions.

All machines and accessories are primer coated and finish painted. Standard color chart available upon request.

© Sebright Products, Inc. 2007



TRACTOR
 Innovative solutions for your recycling challenges
 800-255-8532 Toll Free 8536
 260-793-7888 Fax 260-603-7266
 Product Testing Available
 www.sebrightproducts.com

DENSIFIER™
 4.1 cu yd per hour
 4.1 cu yd per hour
 4.1 cu yd per hour
 4.1 cu yd per hour

SQUEEZED TO THE LIMIT
 The Sebright Foam Densifier compact foam polystyrene and foam particles into very dense blocks, allowing you to reduce your storage requirements and reduce your hauling and handling costs.
 • operational control
 • rugged construction
 • superior performance
 • minimal maintenance
 • low backed service support available
 Call Our Densification Specialist
 800-255-8532
 1st 269-793-7183 • Fax 269-793-8822
 www.sebrightproducts.com
 127 N. Water Street • Hopekens, MI 49128

