

D30 EPS FOAM Foam Densification System



- Truck Load Weight to 40,000 lbs.*
- Up to 300 lbs. per Hour**
- Heavy Duty / Low Maintenance
- Integral Dust Collection Port
- Sealed Design / Clean Operation
- Ergonomic Block Size
- Two Line Operator Display

The Densification Specialists

- Automated Density Control System
- Consistent EPS Discharge
- Does Not Melt EPS
- Automatic Discharge Shear Option
- Low Labor Requirement
- Low Energy Requirement
- PLC Modem for Remote Support

Ship This



Proprietary PLC Operated ADCS Automated Densification Control System

Our PLC monitors & maintains both the compression ram and the discharge restrictor plate pressures. Proprietary control logic (ADCS) automatically controls the restrictor plate hydraulic pressure to allow EPS discharge after compression parameters are attained. This allows a wide range of EPS material to be processed without operator intervention.

*Truckload weights based on operational data and customer feed back.

** 300 lbs per hour max. Production rates vary by incoming EPS properties and grind size. 150-250 lbs per hour typical on medium weight EPS feeds.

Years of Experience, Heavy Duty Design

Make an Investment in quality. Down time and repairs will not make you money. Our EPS Densifiers are heavy duty "Professional Grade" machines. We built our first EPS Densifier in 1995 and its still in service today!

Operator Panel With Two Line Display

Our PLC control system features an Operator HMI (Human Machine Interface) which allows the operator to adjust process set points, timers and all counters, etc., from the HMI Sixteen separate alarms display in English on the HMI display to ease Maintenance and Troubleshooting Efforts.

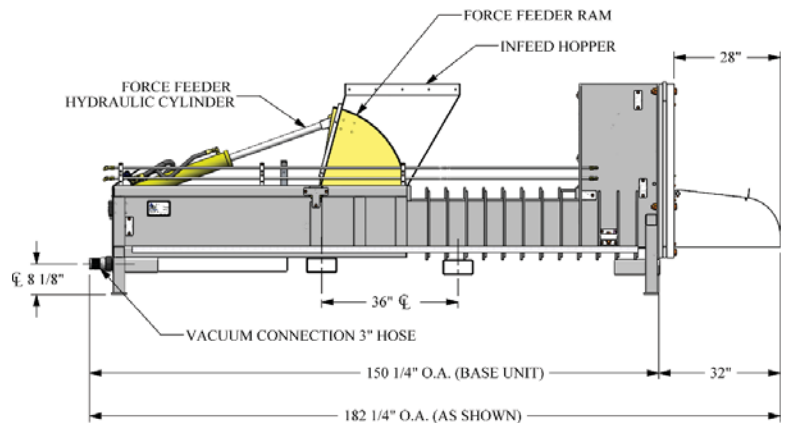
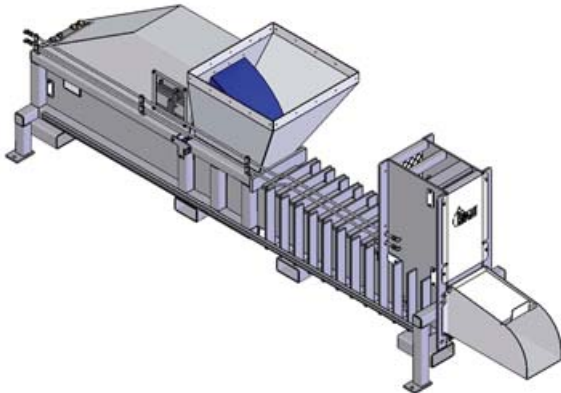
Automatic Unattended Operation

Give it some EPS and it goes to work. Unlike other EPS Densification equipment, these machines operate with minimum operator attention. The large feed opening on both the D30 and D120 help keep the foam moving and minimize bridging in the bag hopper.

Optional Automatic Cut-Off Shear

The optional Auto Shear saves time by cutting off the continuous "log" of discharged EPS into lengths selected by the operator.

Chamber Volume	Motor	Cylinders	Ram Force	Total Force	Feed Capacity	Compaction Ratio	Output Density	Machine Wt.	Power Unit Wt.	Machine Length (In.)	Machine Width (In.)
.22 cu yards	15 HP	(1) 6" Dia.	490 PSI	71,000 lbs.	Up to 300 lbs./hr	Up to 50 : 1	15 - 20 lbs/ft ³	3,700 lbs	1,250 lbs	182 1/4"	35 1/4"



Available options include:

- elevation stands
- blower systems
- automated block shears
- discharge snout extensions
- EPS Foam pre-breakers
- bag house assemblies

Due to product improvements, the manufacturer reserves the right to alter or amend, without notice, any of these specifications and/or dimensions.

All machines and accessories are primer coated and finish painted. Standard color chart available upon request.



Bright Technologies,
Specialty Equipment div. of Sebright Products, Inc.
127 N Water St., Hopkins, Michigan 49328
800-253-0532 Toll Free US
269-793-7183 Phone 269-793-4022 Fax
For more information, please visit our websites
at www.sebrightproducts.com and
www.brightbeltpress.com

