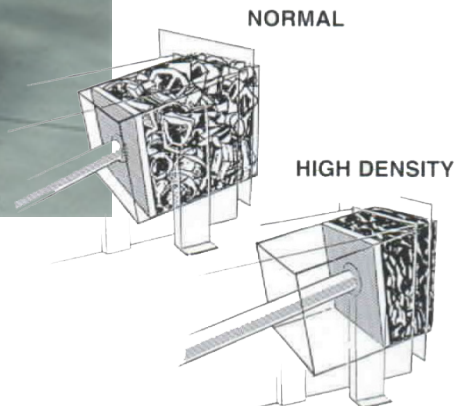


SEBRIGHT MODEL 4660 & 5260

Industrial Compactors

These compactors were designed to provide higher payloads; generating compaction forces ranging from 56,550 to 113,100 lbs.



STANDARD FEATURES

- Abrasive resistant floor (AR 235)
- Large clear top openings
- High performance cylinder (s) and power unit combinations
- Deep container penetration, 16" — 22"
- Long motor life (T.E.F.C.) Totally Enclosed Fan Cooled
- Remote station (Operator station) with container full light and Keylock
- Liquid filled pressure gauge
- Auto cycle / Multi Cycle/Emergency Stop/Deadman Selector Switch
- UL Listed Panel/ANSI 245.2 Compliant
- Rental company proven
- 800 lb. capacity walk-on deck (tread plate)
- Available with an optional 10,000 lb. capacity drive-on deck
- Panel Mounted Jog Controls
- Breaker Bar Teeth
- Large Cylinder(s) 6", 7" or (2) 6" Design

CALL TOLL FREE

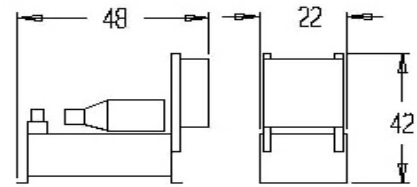
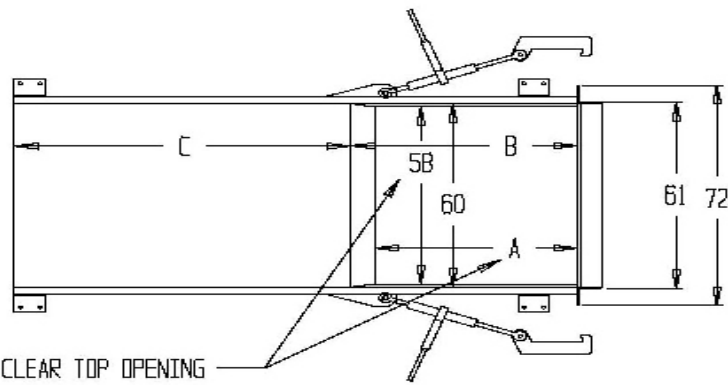
1-800-253-0532

Sebright Products, Inc.

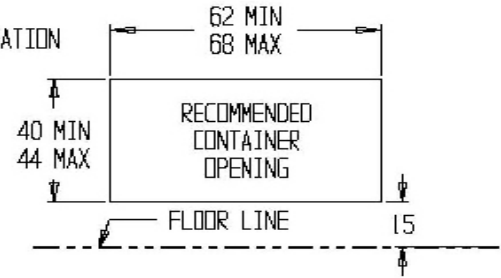
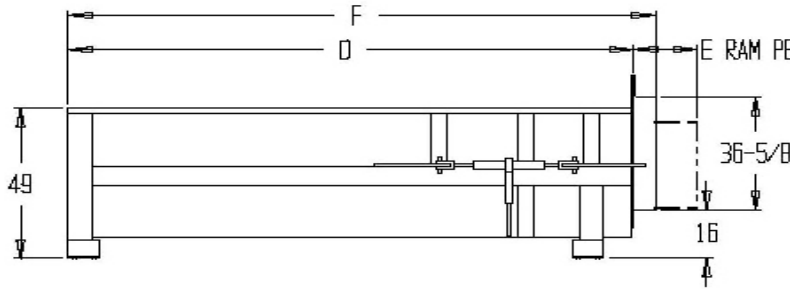
127 N. Water St.
Hopkins, MI 49328

The Densification Specialists





10 HP 36 GALLON POWER UNIT



Model Number	"A"	"B"	"C"	"D"	"E"	"F"	Cu. Yd.	Motor H.P.	Pump GPM	No. of Cyls.	Cyl. Bore	Cyl. Stroke	Max PSI	Ram Face Sq. In.	Ram Face PSI	Cyl. Force	Cycle Time	Cu. Yd. Hour	Hyd. Res. (Gal)	Base Unit Weight (lbs)
4660-1-6	45	52	84	136	22	142	2	10	16	1	6	68	2,000	1,680	34	56,550	45	132	36	5,950
4660-HD-1-7	45	52	84	136	22	142	2	15	19	1	7	68	2,000	1,680	46	76,960	57	105	36	6,250
4660-2-6	45	52	84	136	22	142	2	15	19	2	6	68	2,000	1,680	67	113,100	76	79	36	6,450
4660HV-2-6	45	52	84	136	22	142	2	20	30	2	6	68	2,000	1,680	67	113,100	48	125	93	6,750
5260-1-6	51	57	85	142	16	148	3	10	16	1	6	68	2,000	1,590	36	56,550	45	141	36	6,100
5260HD-1-7	51	57	85	142	16	148	3	15	19	1	7	68	2,000	1,590	48	76,960	57	112	36	6,400
5260-2-6	51	57	85	142	16	148	3	15	19	2	6	68	2,000	1,590	71	113,100	76	84	36	6,600
5260HV-2-6	51	57	85	142	16	148	3	20	30	2	6	68	2,000	1,590	71	113,100	48	133	93	6,900

Note: Sebright power units feature tri-voltage motors, 208/230/460 volt 3 phase. For 208 volt applications a 10 hp/12 gpm or 15 hp/16 gpm motor and pump combination is recommended. Special power units are also available for 230 volt single phase.



Sebright Products, Inc.
 127 N. Water St., Hopkins MI 49328
 269-793-7183 Fax: 269-793-4022
 800-253-0532
 www.sebrightproducts.com

Due to product improvements, the manufacturer reserves the right to alter, or amend, without notice, any of these specifications and/or dimensions.

All machines and accessories are primer coated and finish painted. Standard color chart for available upon request.

Complete Line of Dry & Wet Waste Equipment Including:

Stationary Compactors * Self-Contained Compactors * Pre-Crushers * Hydraulic Dumpers * Densifiers * Construction Compactors
 High Density Extruders * Belt Filter Presses * Xtractors * Oil Filter Recycler * X³Cycler * Conveyors