

SEBRIGHT MODEL SC-4060-2-4 SELF CONTAINED COMPACTOR



PERFORMANCE
With a cylinder force of
50,280 lbs., waste is reduced to
a fraction of the original
volume!!



The 10 HP power unit is energy efficient featuring only brand name electrical and hydraulic components, along with a 10 gpm pump, and 44 gallon reservoir.



The heavy-duty hinge is the strongest on the market place.



The ratchet latch tightens against the door seal and insures a tight seal.



The operator station includes: safety key lock, pull to start, push to stop, full container light, and can be mounted in any convenient location.

The Sebright Model SC-4060-2-4 is a compactor and container, combined into a single efficient unit that has a built in sump with up to 1200 gallons of liquid retention capacity. Because the Model SC-4060-2-4 is designed to reduce in volume refuse that is wet, it is ideal for restaurants, supermarkets, and hospitals, as well as any other location where the trash that is generated has a high amount of liquid.

The superior design and high quality workmanship of this unit, along with its many built in features, makes it your best value on the market today.

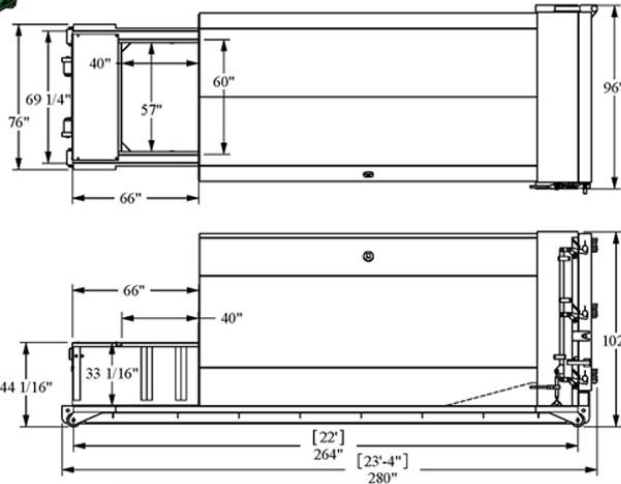
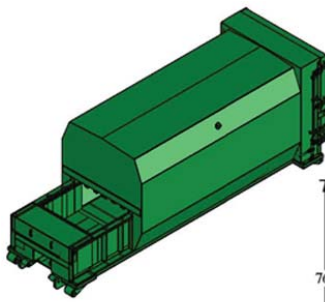
Compactor/Container
Leakproof - *in one unit!*

The Densification Specialists

Call Toll Free
1-800-253-0532

Sebright Products, Inc.,
127 N. Water St.
Hopkins MI 49328





NOTE: ALL DIMENSIONS ARE IN INCHES

Model Number	Cu. Yd.	Motor T.E.F.C	Pump GPM	No. of Cyls.	Cyl. Bore Inch	Cyl. Stroke Inch	System PSI	Ram Height	Cylinder Force	Charge Chamber	Cycle Time (Seconds)	Cu. Yd. Hour
SC-4060-2-4	2	10	10	2	4	32	2,000	26"	50,280 lbs.	40" x 60"	34	144

COMPACTOR & CONTAINER SPECIFICATIONS

Skid Length	16'	18'	20'	22'	24'
Total Nominal Cubic Yards	23	27	31	35	39
Compactor & Container - O.A. Length	17'6"	19'6"	21'6"	23'6"	25'6"
Container - O.A. Height	102"	102"	102"	102"	102"
Container - O.A. Width	96"/102"	96"/102"	96"/102"	96"/102"	96"/102"
Compactor Loading - Height	45 1/8"	45 1/8"	45 1/8"	45 1/8"	45 1/8"
Compactor Platform - O.A. Width	76"	76"	76"	76"	76"
Compactor & Container - Weight	8,700 lbs.*	9,200 lbs.*	9,700 lbs.*	10,200 lbs.*	10,700 lbs.*
Remote Power Unit W/Oil - Weight**	620 lbs.*	620 lbs.*	620 lbs.*	620 lbs.*	620 lbs.*

*Weight is approximate

Compactor Container Structural Components

Compactor Floor.....	3/8"	Ram Top.....	1/4"
Compactor Side.....	1/4"	Container Floor.....	3/16"
Ram Floor.....	3/8"	Container Sides & Roof.....	10 ga.
Ram Face.....	1/2"	Container Door.....	10 ga.

Extra Heavy Duty 6"x2"x3/8" Steel Tubing Main Rails.....Standard



Sebright Products, Inc
 Phone: 269-793-7183 ** Fax: 269-793-4022
 Toll Free: 800-253-0532
 www.sebrightproducts.com

Due to product improvement, the manufacture, reserves the right to alter or amend, without notice, any of these specifications and/or dimensions.

Complete Line of Solid & Wet Waste Handling Equipment includes:

*Stationary Compactors * Self Contained Compactors * Precrushers * Hydraulic Dumpers * Densifiers * Construction Compactors * High Density Extruders * Belt Filter Presses * Xtractors * Conveyors*