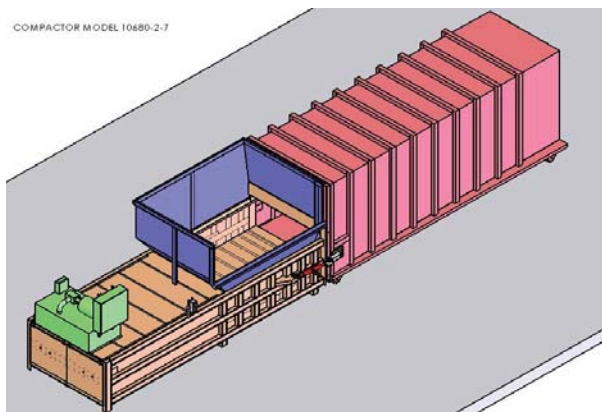


# Engineered RIGHT, Built RIGHT, Installed RIGHT, Serviced RIGHT - by SEBRIGHT

## SUPER HEAVY WEIGHT COMPACTORS



5 Year  
Limited  
Frame & Ram  
Warranty

5.0 YARD TO 9.0 YARD CAPACITY

Reduce your waste hauling costs "beyond the industry standard" by applying 169,300 lbs. of compaction force against your waste or recyclable material!

Model Number	Charge Opening (inches)	Nominal Cubic Yard	Motor H.P. T.E.F.C.	Pump GPM	No. of Cyl. Bore (inches)	Cyl. Stroke (inches)	Ram Penetration (inches)	Hyd. Res. Gallon	Resultant Ram Force	Maximum Pressure PSI	Cyl. Force (lbs.)	Cycle Time (sec)	Approx. Base Unit Weight lbs.
7480-2-7	66X80	5.0	30	43	(2) 7	92	25	93	83	2,200	169,300	68	13,453
8280-2-7	74X80	5.5	30	43	(2) 7	92	25	93	83	2,200	169,300	68	14,028
9880-2-7	90X80	6.5	40	54	(2) 7	116	25	140	83	2,200	169,300	68	15,708
10680-2-7	98X80	7.0	40	54	(2) 7	116	17	140	83	2,200	169,300	68	16,259
12980-2-7	120X80	8.5	50	62	(2) 7	146	25	300	83	2,200	169,300	75	19,284
13780-2-7	129X80	9.0	50	62	(2) 7	146	16	300	83	2,200	169,300	75	19,861
12980HV-2-7	120X80	8.5	60	130	(2) 7	146	25	300	83	2,200	169,300	36	20,101
13780HV2-7	129X80	9.0	60	130	(2) 7	146	16	300	83	2,200	169,300	36	20,676

Note: Cylinder force and resultant ram force have been calculated at 2000 psi

**Sebright Products, Inc.**  
Bright Technologies,  
a division of Sebright Products, Inc.  
127 N Water St.  
Hopkins, Michigan 49328  
800-253-0532 Toll Free US  
269-793-7183 Phone  
269-793-4022 Fax

For more information, please visit our websites at  
[www.sebrightproducts.com](http://www.sebrightproducts.com) and  
[www.brightbeltpress.com](http://www.brightbeltpress.com)

Working together to provide complete  
waste processing solutions

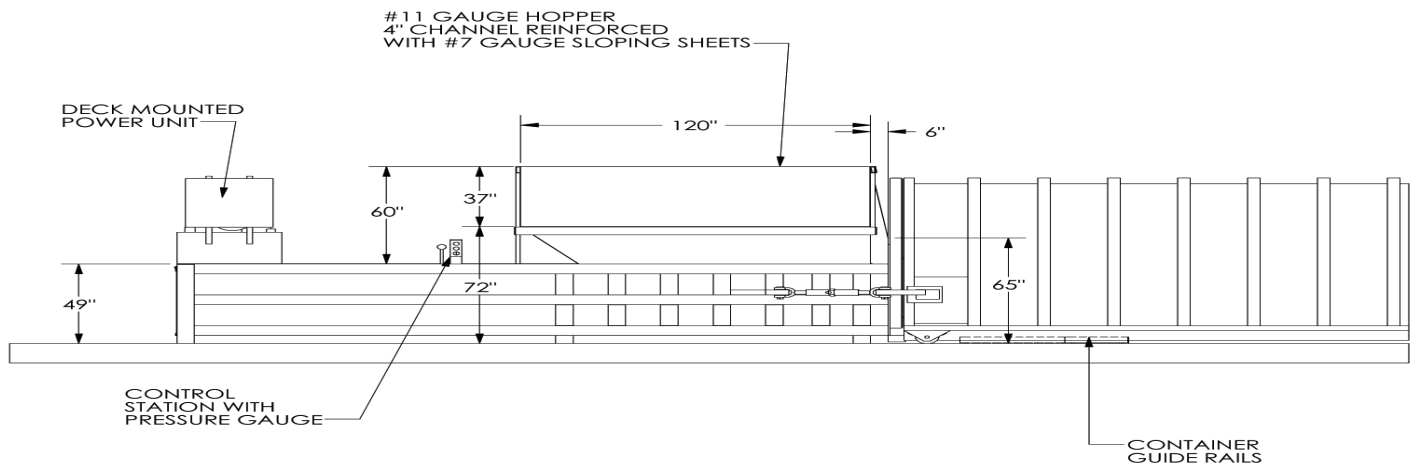


The Densification Specialists

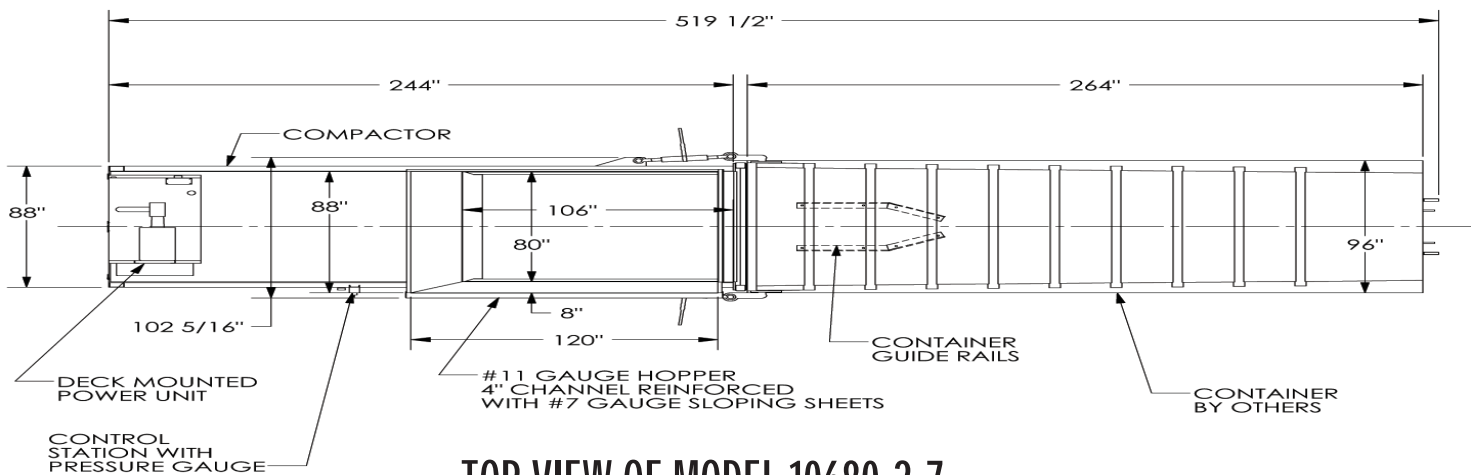
**Sebright**  
Stationary Compactors  
Self-contained Compactors  
Precrushers  
Hydraulic Cart Dumpers,  
Custom Carts and Containers  
EPS Foam Densifiers



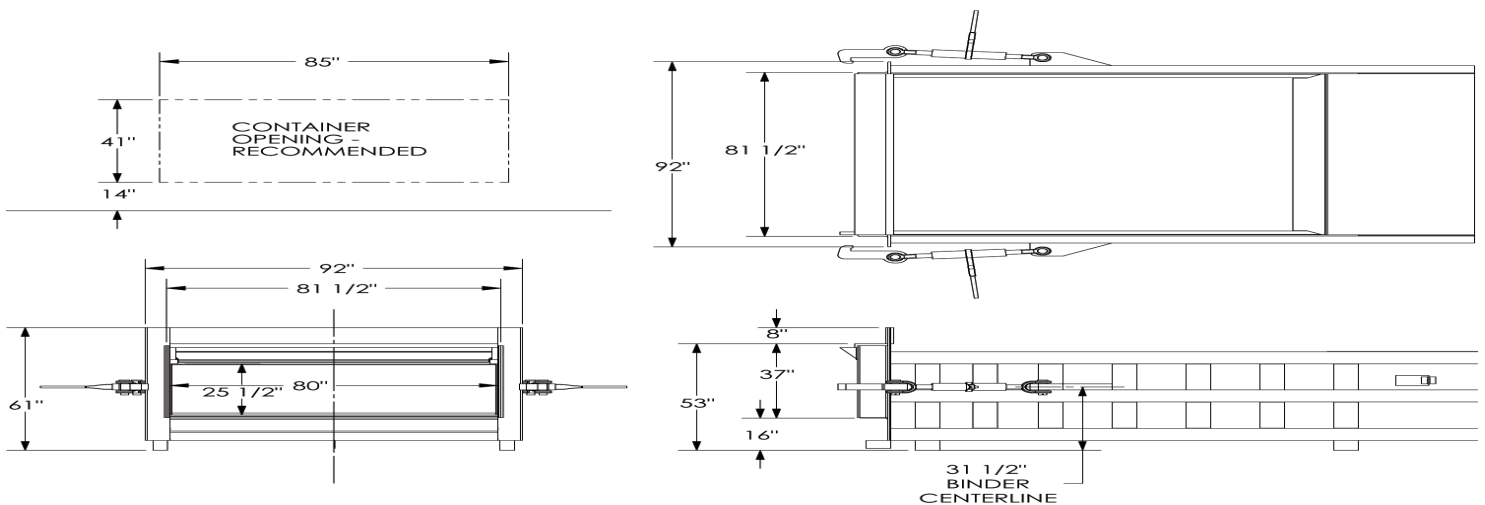
Bright  
Belt Filter Presses  
High Density Extruders  
Xtractors



**RIGHT HAND SIDE VIEW OF MODEL 10680-2-7**



**TOP VIEW OF MODEL 10680-2-7**



**FRONT VIEW OF MODEL 10680-2-7**

**SEBRIGHT "SUPER HEAVY WEIGHT" COMPACTORS HAVE BEEN ENGINEERED TO GENERATE RAM FACE PSI RATINGS (RESULTANT RAM FORCE) OF 83. MAXIMUM MATERIAL DENSIFICATION IS ACHIEVED WITHOUT REQUIRING HYDRAULIC PRESSURE ABOVE 2,200!**

Due to product improvements, the manufacturer reserves the right to alter or amend, without notice, any of these specifications and/or dimensions.

All machines and accessories are primer coated and finish painted. Standard color chart available upon request.

© Sebright Products, Inc. 2006

