

Sebright Vertical Packer



The SVP has been developed as the alternative to loose waste hauling. Designed for restaurants, fast food chains, retail and supermarket outlets, hospitals and other low volume waste generators, the SVP, with its unique dual-packing system in a leak proof container, can generate over 16 tons of force to quickly reduce waste to a fraction of its original volume. Model SVP 6 shown.



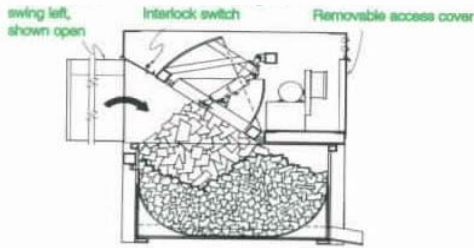
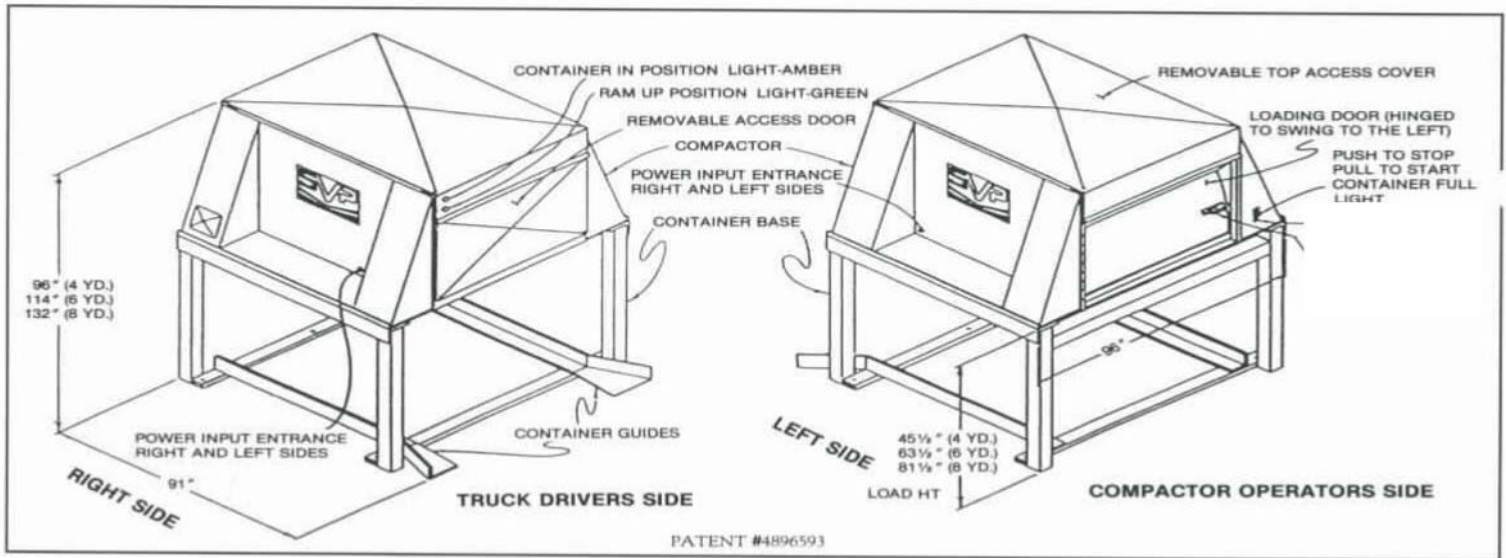
- ☑ Easy and Safe to Operate
- ☑ Low Loading and Overall Height
- ☑ Dual-Direction Compaction
- ☑ Better Mechanical Advantage
- ☑ Better Compaction
- ☑ More Ram Penetration
- ☑ Simple Installation
- ☑ Front or Rear Container Removal

CALL TOLL FREE
800-253-0532

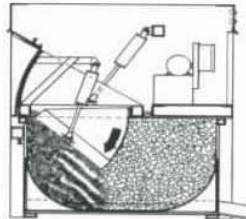
Sebright Products, Inc.
127 N. water St.
Hopkins, MI 49328

THE DENSIFICATION SPECIALISTS

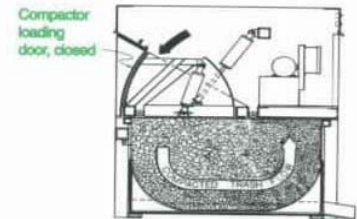




The SVP in the Load Position



The SVP in the Pack Position

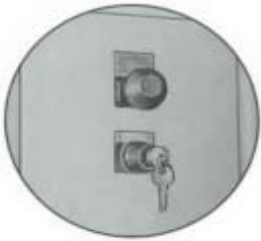


The SVP Compacted Trash Flow

The SVP has a large 29 1/2" x 60" opening for easy loading. When all your waste material is loaded, the operator closes the door and the machine begins its compaction cycle.

With 24" deep penetration and higher density compaction, there is less spillage when dumping.

The SVP two-ram compaction design feature allows the entire container to fill.



Easy to Operate

- 1.) Turn Key to On.
- 2.) Pull the Start Switch.



Easy On The Hauler

Green light on -- OK to remove container. When returning container, amber light indicates that the container is in proper position.

Specifications

Charge Box Capacity: Manufacturer's Rating = 1 cubic yard * Ind. Criteria = .94 cubic yards
 Clear Top Opening: 29 1/2" Length x 60" Width * Ram Penetration: 24" * Cycle Time: 26 Seconds
 Motor Size: 3 HP (Optional 1 HP single phase) * Force Rate: Ram 1 = 32,330 lbs. @ 2,000 PSI
 Ram 2 = 16,664 lbs. @ 2,000 PSI * Standard Voltage: 208/230/460 3-phase * Standard Color: Mesa Tan

Model	Load Height	Total Weight
SVP-4	45 1/2"	4,896 lbs.
SVP-6	63 1/2"	5,050 lbs.
SVP8	81 1/2"	5,204 lbs.



Sebright Products, Inc.
 127 N. Water St., Hopkins, MI 49328
 Phone: 269-793-7183 Fax: 269-793-4022
Toll Free: 800-253-0532
 www.sebrightproducts.com

Due to product improvements, the manufacturer reserves the right to alter or amend, without notice, any of these specifications and/or dimensions.

All machines and accessories are primer coated and finish painted. Standard color chart available upon request.

Complete line of Solid and Wet Waste Handling Equipment including:

Stationary Compactors * Self-Contained Compactors * Precrushers * Hydraulic Dumpers * Densifiers * Construction Compactors
High Density Extruders * Belt Filter Presses