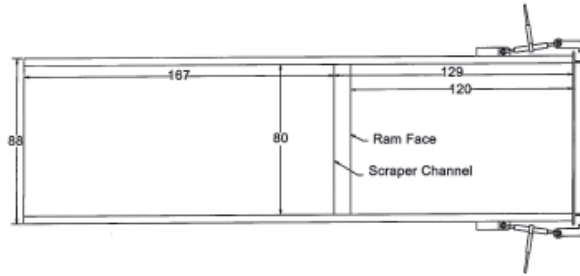
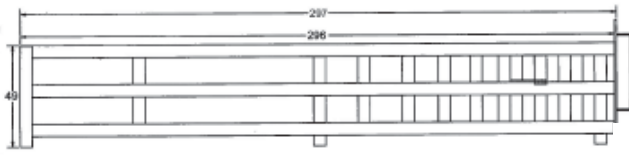


SEBRIGHT "WIDE BODY" COMPACTORS

6.5 YARD TO 9.0 YARD CAPACITY
 ESPECIALLY DESIGNED FOR EXTRA LARGE VOLUMES OF BULKY WASTE OR
 RECYCLABLE MATERIAL



Top and Side View of Model 12980T6 Compactor Featuring a Generous 120" X 80" Charge Chamber

Model Number	Charge Opening (inches)	Nominal Cubic Yard	Motor H.P. T.E.F.C.	Pump GPM	Cyl. Bore (inches)	Cyl. Stroke (inches)	Ram Penetration (inches)	Cubic Yards Per Hr.	Resultant Ram Force	Cyl. Force (lbs.)	Cycle Time (sec)	Approx. Base Unit Weight lbs.
9880-2-6	90X80	6.5	30	43	(2) 6	116	25	251	55	113,100	45	15,208
9880HV-2-6	90X80	6.5	40	55	(2) 6	116	25	320	55	113,100	45	16,003
10680-2-6	98X80	7.0	40	55	(2) 6	116	17	273	55	113,100	45	16,248
10680HV-2-6	98X80	7.0	30	43	(2)6	116	17	348	55	113,100	45	16,696
12980-2-6	121X80	8.5	40	55	(2) 6	146	24	341	55	113,100	56	18,661
12980-2-7	121X80	8.5	40	55	(2) 7	146	24	227	76	153,940	84	19,086
13780-2-6	129X80	9.0	40	55	(2) 6	146	16	363	55	113,100	56	19,109
13780-2-7	129X80	9.0	40	55	(2) 7	146	16	242	76	153,940	84	19,534

Note: Cylinder force and resultant ram force have been calculated at 2000 PSI

CALL TOLL FREE
 800-253-0532

SEBRIGHT "WIDE BODY" COMPACTORS HAVE BEEN ENGINEERED TO GENERATE RAM FACE PSI RATINGS (RESULTANT RAM FORCE) BETWEEN 56 AND 76. MAXIMUM MATERIAL DENSIFICATION IS ACHIEVED WITHOUT REQUIRING HYDRAULIC PRESSURE ABOVE 2200 (GREATLY INCREASING LIFE EXPECTANCY).

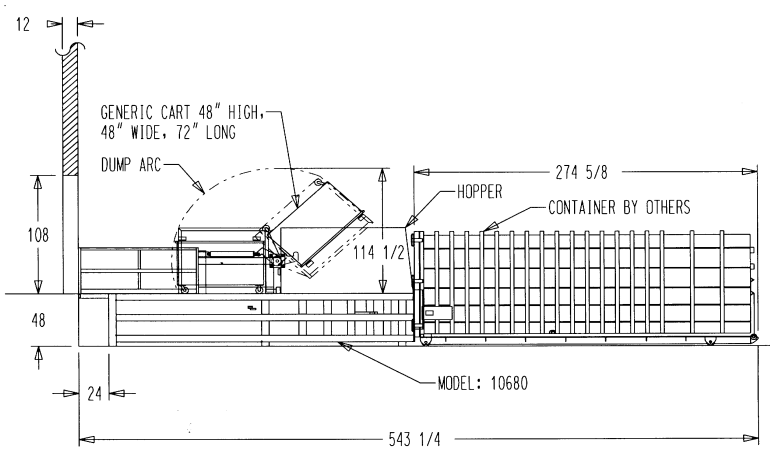
Sebright Products, Inc.

127 N. Water Street
 Hopkins, MI 49328

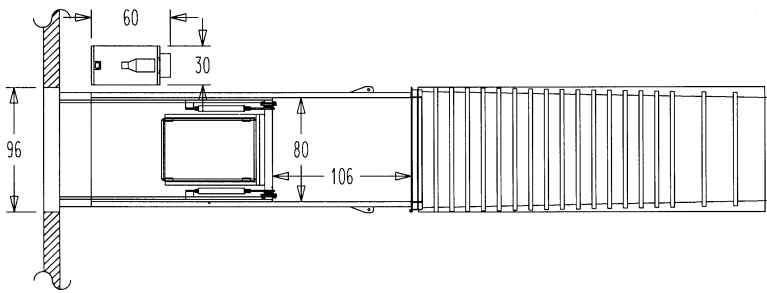
www.sebrightproducts.com

THE DENSIFICATION SPECIALISTS



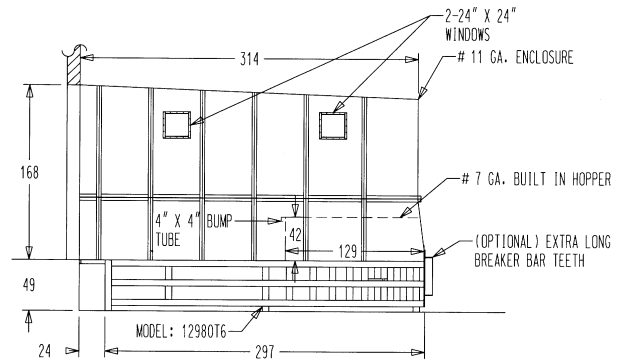


Side view of model 10680 compactor featuring a hydraulic cart dumper, rear hopper, and hand and toe rails for a standard loading dock.

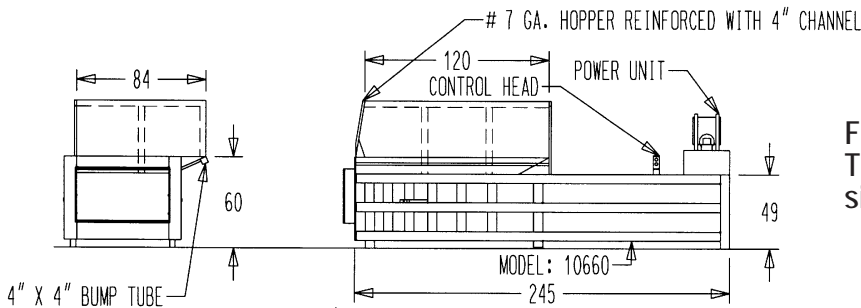


Top view of model 10680 emphasizing the 80" wide charge chamber and the 60"X30" power unit along the left side of the compactor.

Side view of model 12980T6 compactor featuring a total enclosure installation at a loading dock. This includes a built-in hopper with 42" high barrier for forklift loading.



Front and side view of model 10660 compactor. The left hand 120" wide hopper is flared over the side for safety and ease of loading.



The Sebright Engineering and customizing program pays particular attention to type of material, method of loading, ergonomics and safety

Sebright Products manufactures and installs compaction equipment nationwide. Our turnkey installations conform to standards of A.N.S.I



Sebright Products, Inc.
 127 N. Water St., Hopkins, MI 49328
 Phone: 269-793-7183 Fax: 269-793-4022
 Toll Free: 800-253-0532
 www.sebrightproducts.com

Due to product improvements, the manufacturer reserves the right to alter or amend, without notice, any of these specifications and/or dimensions.

All machines and accessories are primer coated and finish painted. Standard color chart available upon request

Complete line of Solid and Wet Waste Handling Equipment including:

*Stationary Compactors * Self-Contained Compactors * Precrushers * Hydraulic Dumpers * Densifiers * Construction Compactors
 High Density Extruders * Belt Filter Presses * Conveyors*