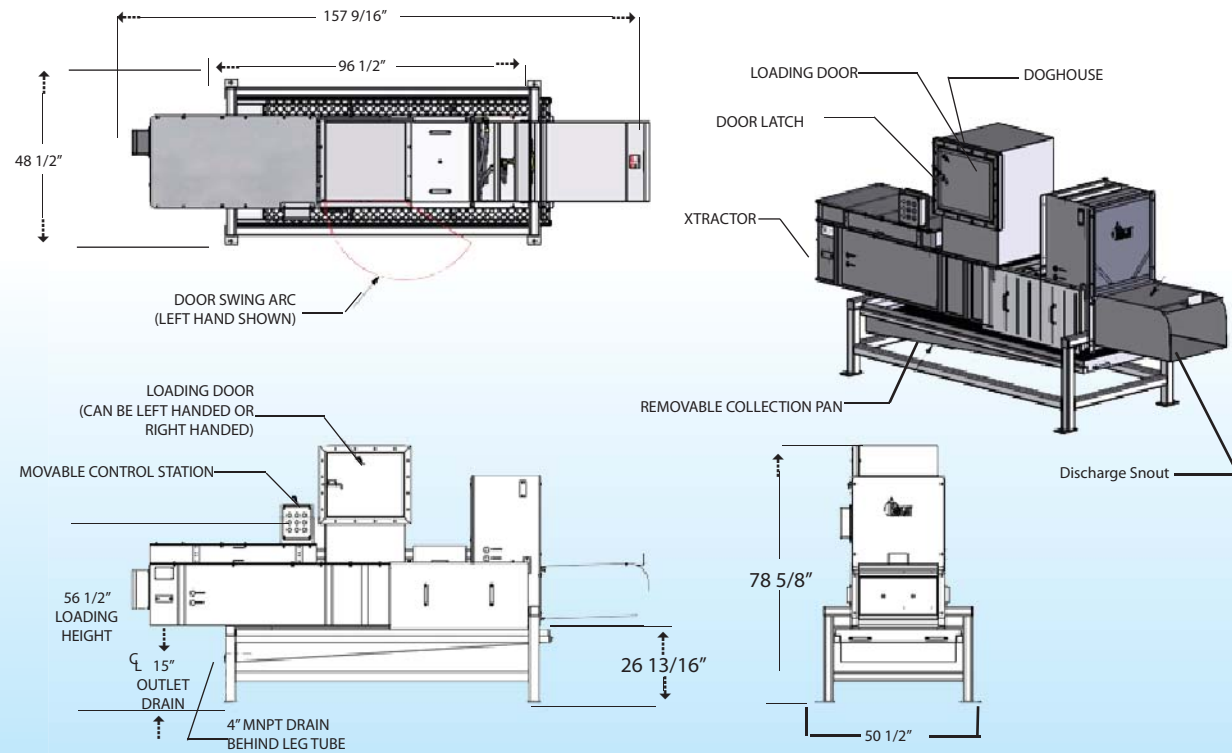


XTRACTOR



XTRACTOR



REMOVE LIQUIDS FROM THE PACKAGE



Plastic & Aluminum Containers in One Machine



XTRACTOR OPTIONS

- Container Perforator
- STD or Sorting type feed conveyors
- Feed hoppers
- Discharge chutes
- Hydraulic Cart Dumpers
- Custom material handling carts



Bright Technologies, Speciality Equipment Division of
Sebright Products, Inc.
127 N. Water St.
Hopkins, MI 49328
Phone: 269-793-7183 Fax: 269-793-4022
Toll Free (U.S.): 800-253-0532
www.brightbeltpress.com

Due to product improvement, the manufacturer reserves the right to alter or amend, without notice, any of these specifications and/or dimensions

copyright Bright Technologies June 2015

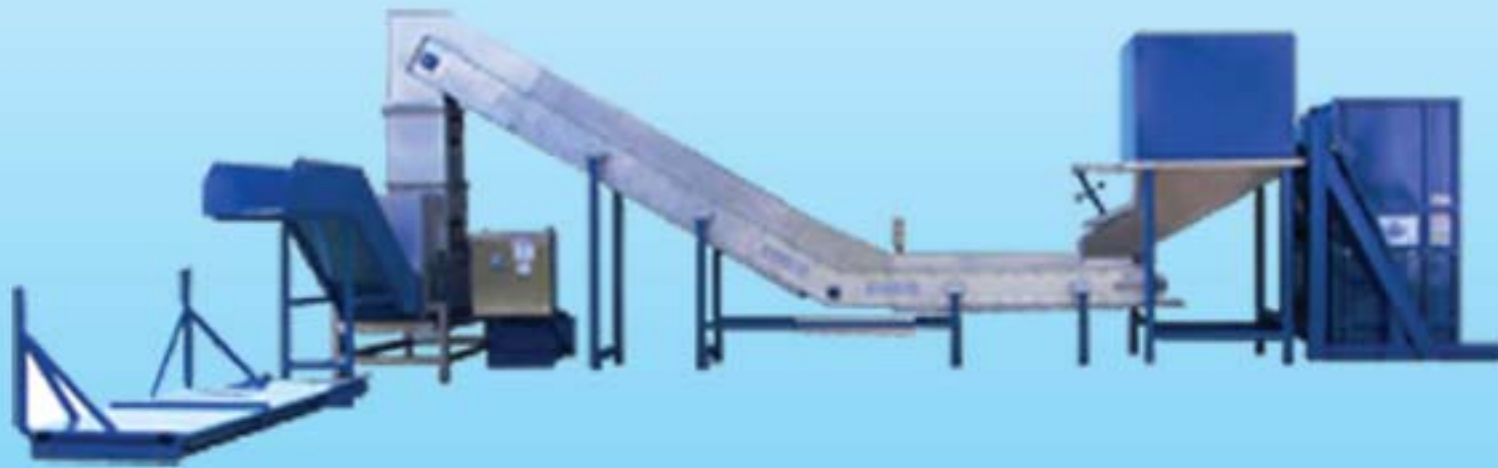
800-253-0532

www.brightbeltpress.com



FEATURES

- Stainless steel construction
- Conveyor automatically meters production
- Rugged, reliable design
- Process up to 10 cu. yards per hour
- Volume reductions of up to 90%
- Well sealed design
- Superior liquid recovery



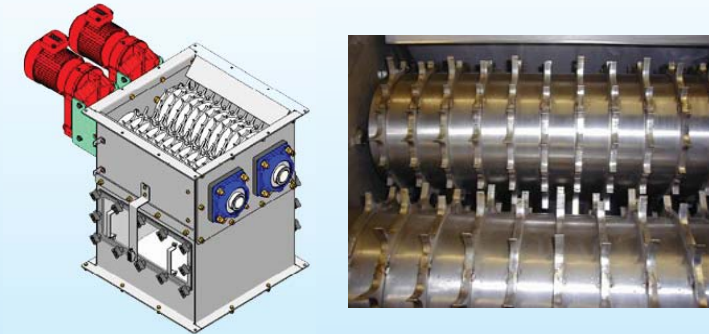
RESULTS

Attractive Equipment - Long Life Cycle
Low Labor Cost
Low Maintenance Cost
High Throughput - Less Labor
Less Clean Up & Safer Working Conditions
Maximizes Recycling Value & R.O.I

www.brightbeltpress.com
800-253-0532



Xtractor System Solution Options
Simple & Efficient for a full range of applications



Container Perforator

- Stainless steel frame & rolls
- Dual 1 HP drive works on tough containers
- Effectively perforates containers from 1/2 to 4 liter size
- Rugged, low maintenance design



Feed Conveyors

- Stainless steel frame construction
- High Capacity Hopper - Automatically meters products
- Sealed to keep liquid and containers off the floor
- Rugged design for low maintenance
- Direct feed or sorting styles available

www.brightbeltpress.com
800-253-0532