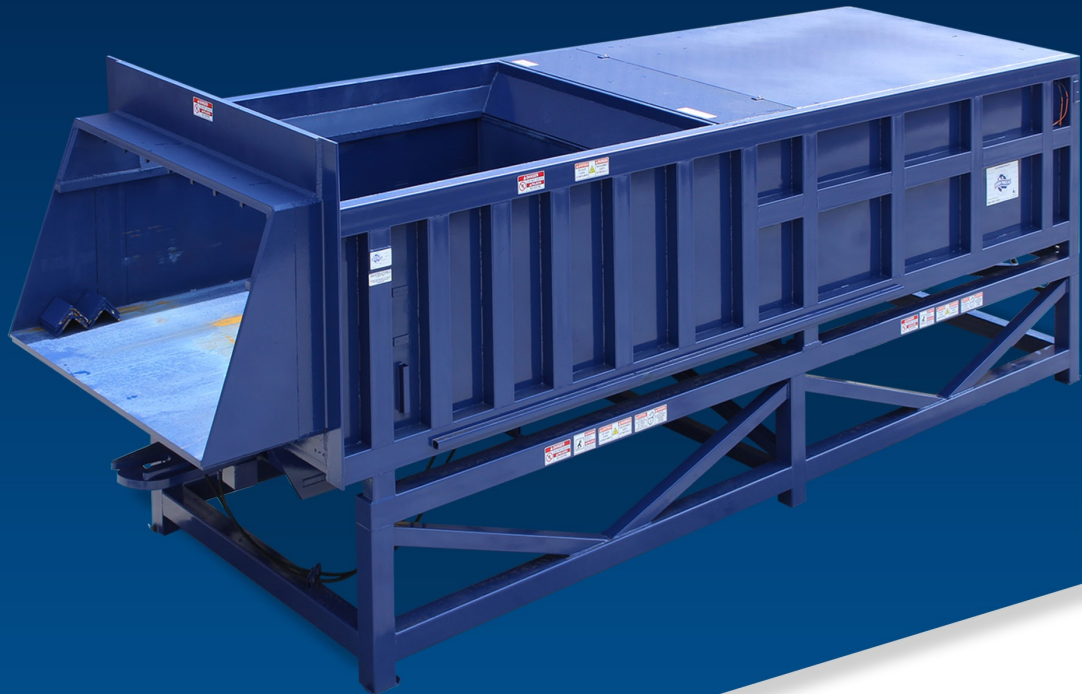


TRANSFER STATION

EXTRA HEAVY DUTY CONSTRUCTION

Process up to 850 cubic yards per hour

Sebright's transfer station compactors are engineered with extreme use in mind. Built with abrasion resistant steel on the chamber floor and heavy duty reinforcing, these compactors will last a long time while maintaining a low maintenance operation. Each unit is custom engineered to users specifications and delivered with turnkey installation.



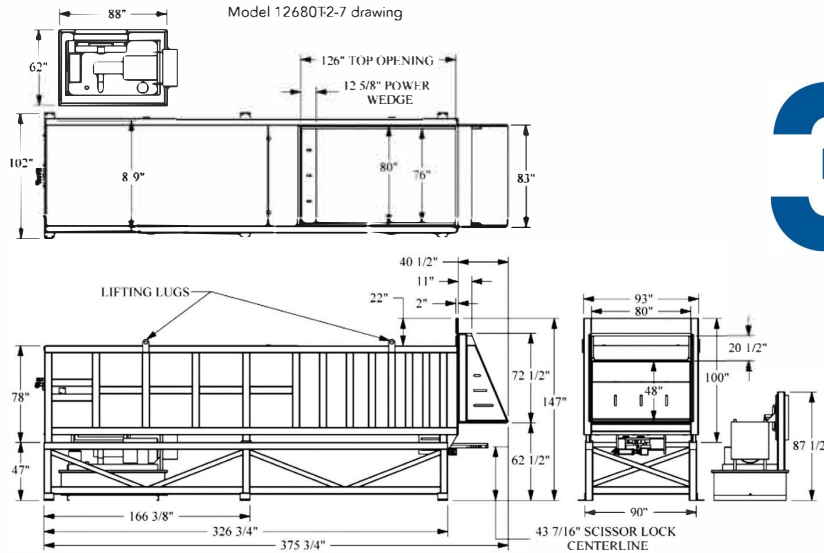
127 N. Water St. Hopkins, MI 49328
269-793-7183
www.sebrightproducts.com



TRANSFER STATION

Commercial - Municipal - Recycling

- Reduce costs with higher payloads
- Large chamber to reduce "bridging"
- Optional scissor lock
- High ram penetration to reduce spillage
- Optional ram power wedge to increase material density (standard on 12680T-2-7)



limited
3 year
frame & ram warranty
or 6,000 hrs

* All dimensional data for reference only

* Due to product improvement, the manufacturer reserves the right to alter, or amend, without notice, any of these specifications and dimensions.

Model	9884-T	12084T-2-6	12084T-2-7	12680T-2-7
Factory rating	8 Cu. Yd.	9 Cu. Yd.	9 Cu. Yd.	13 Cu. Yd.
Industry rating	5.3 Cu. Yd.	6.6 Cu. Yd.	6.6 Cu. Yd.	10.3 Cu. Yd.
Motor HP	50 HP	50 HP	60 HP	60 HP
Pump GPM	63 GPM	84 GPM	130 GPM	108 GPM
Reservoir capacity	200 Gallons	300 Gallons	300 Gallons	300 Gallons
Hydraulic cylinders	(2) 6"	(2) 6"	(2) 7"	(2) 7"
Max PSI	2,000	2,200	2,200	2,200
Max ram force	113,100 lbs.	124,410 lbs.	169,334 lbs.	169,334 lbs.
Ram face	84" x 30.5"	84" x 30.5"	84" x 30.5"	84" x 48"
Max ram face PSI	44.1	48.6	66.1	44.1
Cycle time	39 seconds	36 seconds	35 seconds	47 seconds
Cubic yards/hr.	490	660	680	850
Discharge opening	86" x 49"	86" x 49"	86" x 49"	84" x 73"
Ram penetration	20"	32"	32"	42"
Clear top opening	86" x 90"	80" x 114"	80" x 114"	76" x 126"
Top opening	84" x 98"	84" x 120"	84" x 120"	80" x 126"
Overall height (without stand)	76.5"	76.5"	76.5"	100"

While Sebright Products, Inc., strives to make the information provided on processing of your waste or recycling stream, as timely and accurate as possible, the company makes no claims, promises or guarantees about the accuracy, completeness, or adequacy of any of the provided information, and expressly disclaims liability of errors and omissions in the content of the information, or analysis provided to your company. It is solely the responsibility of each recipient of the information Sebright Products, Inc., has provided to satisfy itself as to the accuracy of the information provided by Sebright Products, Inc., and as to the efficacy of the product(s) for the use(s) intended.