

SELF CONTAINED COMPACTOR

MODEL SC4260-1-6

A compactor and container combined into a single efficient unit that has a built in sump with up to 1100 gallons of liquid retention capacity. It is ideal for restaurants, supermarkets, and hospitals as well as any other location where the trash that is generated has a high amount of liquid.

The superior design and high quality workmanship of this unit along with its many built in features makes it your best value on the market today.



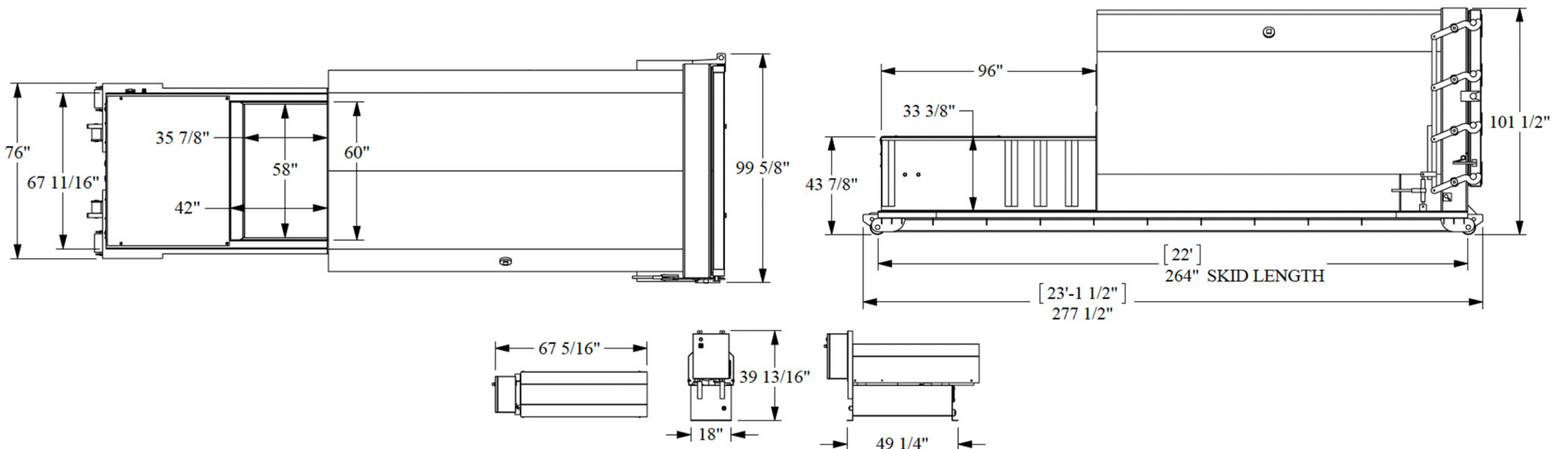
127 N. Water St. Hopkins, MI 49328
269-793-7183
www.sebrightproducts.com



Model Number	Cu Yd.	Motor HP	Pump GPM	No of Cyls.	Cyl. Bore	Cyl. Stroke	Max psi	Ram Face sp. inch	Ram Face psi	Cyl. Force	Cyl. Time	Cu. Yd. Hour	Ind. Criteria Rating	Base Unit Weight lbs
SC4260-1-6	2	10	10	1	6	46	2,000	1,560	36.4	56,550	41	108	1.22	9,920

Compactor and Container Specifications

Model	SC-4260-1-6-16	SC-4260-1-6-18	SC-4260-1-6-20	SC-4260-1-6-22	SC-4260-1-6-24
Total Nominal Cubic Yards	18	22	26	30	34
Compactor & Container - O.A Length	17'	19'	21'	23'	25'
Container - O.A Height	102"	102"	102"	102"	102"
Container - O.A Width	96"/102"	96"/102"	96"/102"	96"/102"	96"/102"
Compactor Loading - Height	44 3/8"	44 3/8"	44 3/8"	44 3/8"	44 3/8"
Compactor Platform - O.A Width	76"	76"	76"	76"	76"
Compactor & Container Weight	7,895 lbs	8,750 lbs	9,245 lbs	9,920 lbs	10,595 lbs
Remote Power Unit Weight	1,000 lbs	1,000 lbs	1,000 lbs	1,000 lbs	1,000 lbs



Compactor Container Structural Components

Compactor Floor (Reinforced AR-235.-Alloy)	1/4"
Compactor Side (Reinforced)	3/16"
Breaker Bar (Reinforced)	L6 x 6 x 3/4"
Ram Floor (Reinforced)	1/2"
Ram Face (Reinforced)	1/2"
Ram Top (Reinforced)	1/4"
Container Floor	3/16"
Container Sides & Roof (Reinforced)	10 ga.
Nylatron Guide Shoes	Std.
Container Door (Reinforced)	10 ga.
Main Rail Tubes	6" x 2" x 3/8"



* All dimensional data for reference only

* Due to product improvement, the manufacturer reserves the right to alter, or amend, without notice, any of these specifications and dimensions.

While Sebright Products, Inc., strives to make the information provided on processing of your waste or recycling stream, as timely and accurate as possible, the company makes no claims, promises or guarantees about the accuracy, completeness, or adequacy of any of the provided information, and expressly disclaims liability of errors and omissions in the content of the information, or analysis provided to your company. It is solely the responsibility of each recipient of the information Sebright Products, Inc., has provided to satisfy itself as to the accuracy of the information provided by Sebright Products, Inc., and as to the efficacy of the product(s) for the use(s) intended.